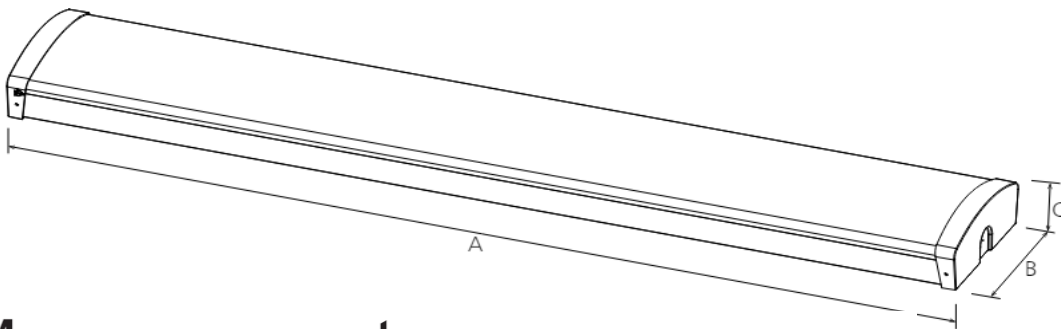
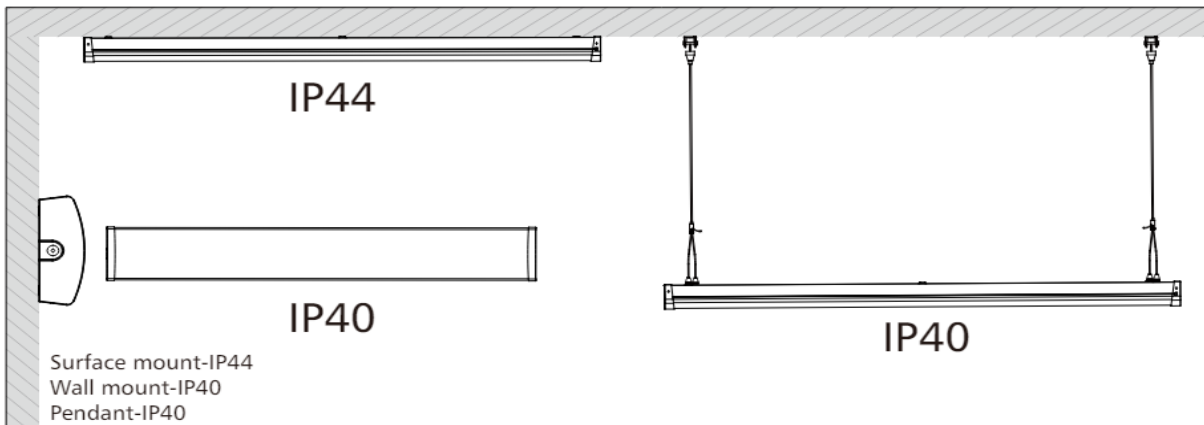
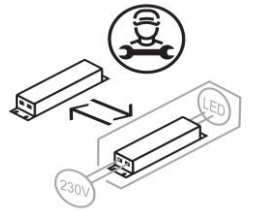


Zeeta Linear Gen2

[FI] Asennus- ja huolto-ohje
 [UK] Installation and maintenance instructions
 [SE] Installations- och underhållsinstruktioner

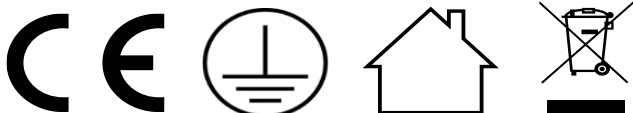


Measurement

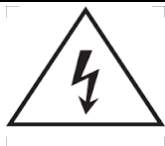
Code	Dimension(mm)			Size(mm)
	A	B	C	
DB106B-1200	1200	207	80	1200*207*80
DB106B-1500	1500	207	80	1500*207*80

Copyright Greenled Oy

Greenled Oy
 Oritkarintie 4
 90400 Oulu Finland
 p. 020 125 5800
info@greenled.fi



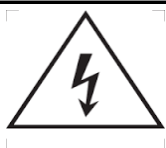
- FI Nämä ohjeet tulee säilyttää ja luovuttaa kiinteistön käyttäjälle.
UK It is appropriate that this information is passed on to the user of the installation.
SE Det är lämpligt att denna information överlämnas till användaren av anläggningen.
-



Turvallisuusvaroitukset:

Ennen asennusta tai huoltotyötä kytke valaisin irti sähköverkosta välttääksesi sähköiskun vaaran!

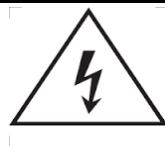
- Asennus / huoltotyön saa tehdä vain valtuutettu henkilö
 - Valaisimen asennuksen / huoltotyön saa suorittaa vain pätevä henkilö näiden ohjeiden mukaisesti.
 - Valmistaja ei kannu vastuuta valaisimen väärästä käytöstä
 - Älä katso suoraan päällä olevaan valaisimeen
 - Valaisimen valonlähteen saa vaihtaa ainoastaan Greenled, Greenledin valtuuttama huoltaja tai vastaavan pätevyyden omaava henkilö
-



Safety notes:

Before installation or change work disconnect the power to reduce electrical shock risk!

- Installation / maintenance can only be done by a skilled personnel
 - Installation / maintenance of luminaire must be performed by qualified person following the instructions given in the instruction set
 - The manufacturer bears no liability for damage caused by inappropriate use or application
 - Do not stare at the operating light source
 - The light source contained in this luminaire shall only be replaced by the Greenled or Greenled's service agent or a similar qualified person
-

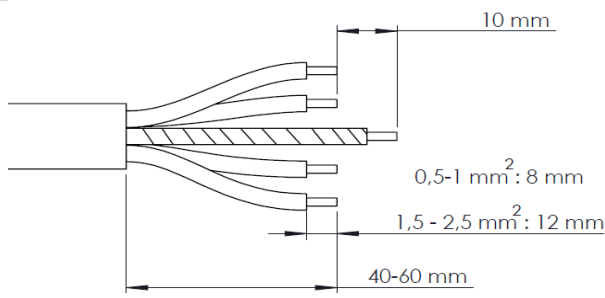


Säkerhetsvarningar:

Koppla alltid bort armaturen från elnätet i samband med installation ti den som använder armaturen.

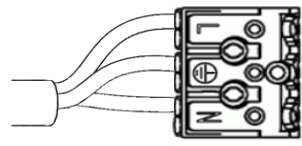
- Installations- och underhållsarbeten får endast utföras av en behöring installatör
 - Installations-/underhållsarbetet får endast utföras enligt dessa anvisningar av en person med tillräckliga kunskaper
 - Tillverkaren ansvarar ej för felaktig användning av armaturen
 - Titta aldrig rakt in i en påslagen armatur
 - Ljuskällan inuti armaturen får endast bytas av antingen Greenled, en Greenled-auktoriserad servicetekniker eller en person med motsvarande kompetens
-

1. Wiring



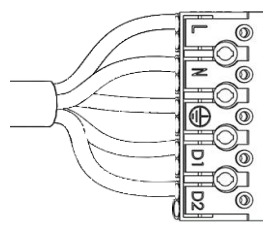
ON/OFF

L = Ruskea, Brown, Brun
 N = Sininen, Blue, Blå
 PE = Kelta-vihreä, Ground wire, Jordledning



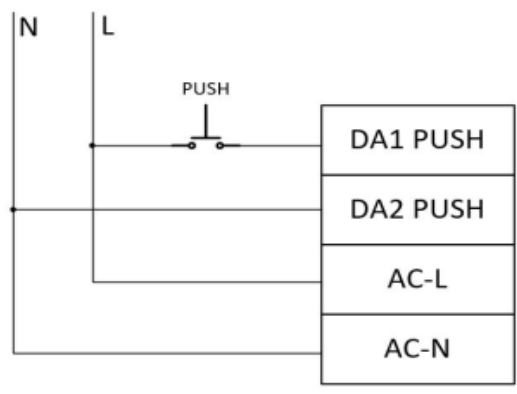
DALI

L = Ruskea, Brown, Brun
 N = Sininen, Blue, Blå
 PE = Kelta-vihreä, Ground wire, Jordledning
 D1 = (DA+) Musta, Black, Svart
 D2 = (DA-) Harmaa, Grey, Grå



- Switch dim/PUSH dim

■ Wiring Diagram of PUSH Dimming



1. The PUSH switch shall be connected in series between AC-L and DALI PUSH terminals and DA2 PUSH terminal shall be connected to AC-N.
2. AC-L and AC-N cannot be directly connected to DA1 PUSH and DA2 PUSH terminals.
3. Before the mains are connected, please ensure that the PUSH switch is disconnected. After that, the PUSH operation can be performed.
4. Before the mains are disconnected, please ensure that the PUSH switch is disconnected.

⚠ If the wiring method or the operation method is incorrect, the LED driver may be damaged.

■ Instructions of PUSH dimming

Operations	Operation Time	Functions
Instant Push	0.1 ~ 0.5 sec	Light on / off
Long Push	0.6 ~ 10 sec	Dim up / down
Reset Push	> 11 sec	Reset to 100% brightness

- The PUSH operation won't cause any variations if it's less than 0.05 sec.
- Minimum dimming depth of PUSH dimming: 1% (Iout).
- The PUSH dimming mode has the memory function in case of any power failure. Power the driver again and the light will return to the state before the power failure.
- Maximum wire length between the PUSH switch and the farthest LED driver: 135m; wire diameter: 16-22AWG
- Maximum quantity of LED drivers connected in parallel in DALI dimming and PUSH dimming modes: 64

2. DIP switches (only in DALI versions)

LF-GSD060YE

INPUT
AC-L
AC-N
NC
DALI PUSH
DALI PUSH
0.75-1.5

LIFUD

Un: 220-240V ~ In: 0.45A
Fn: 50/60Hz
Output Voltage: 25-42V = Prated: 63W(Max)
Uout: 55V = tc: 90°C
PF: 0.9C ta: 50°C

DALI

LED Driver
Model: LF-GSD060YE
For LED modules only

I rated(CC)	1	2	3	4
1100mA	ON	—	—	—
1150mA	—	ON	ON	ON
1200mA	—	ON	ON	—
1250mA	—	ON	—	ON
1300mA	—	ON	—	—
1350mA	—	—	ON	ON
1400mA	—	—	ON	—
1450mA	—	—	—	ON
1500mA	—	—	—	—

Preparation for input and output
7.5mm

OUTPUT
LED+
LED-
0.5-1.0

www.lifud.com
Made in China

ON OFF 1 2 3 4

- DIP switches

Default Zeeta Linear Gen2 58W(1500mA) power can be changed from driver's DIP switches:

	I rated (CC)	1	2	3	4
58W	1500mA	—	—	—	—
	1450mA	—	—	—	ON
	1400mA	—	—	ON	—
	1350mA	—	—	ON	ON
	1300mA	—	ON	—	—
	1250mA	—	ON	—	ON
	1200mA	—	ON	ON	—
	1150mA	—	ON	ON	ON
43W	1100mA	ON	—	—	—

LF-GSD040YE

INPUT
AC-L
AC-N
NC
DALI PUSH
DALI PUSH
0.75-1.5

LIFUD

Un: 220-240V ~ In: 0.3A
Fn: 50/60Hz
Output Voltage: 25-42V = Prated: 44.1W(Max)
Uout: 55V = tc: 90°C
PF: 0.9C ta: 50°C

DALI

LED Driver
Model: LF-GSD040YE
For LED modules only

I rated(CC)	1	2	3
800mA	ON	—	ON
850mA	ON	—	—
900mA	—	ON	ON
950mA	—	ON	—
1000mA	—	—	ON
1050mA	—	—	—

Preparation for input and output
7.5mm

OUTPUT
LED+
LED-
0.5-1.0

www.lifud.com
Made in China

ON OFF 1 2 3

- DIP switches

Default Zeeta Linear Gen2 40W(1050mA) power can be changed from driver's DIP switches:

	I rated (CC)	1	2	3
40W	1050mA	—	—	—
	1000mA	—	—	ON
	950mA	—	ON	—
	900mA	—	ON	ON
	850mA	ON	—	—
30W	800mA	ON	—	ON

3. Installation

3.1 Surface mount installation

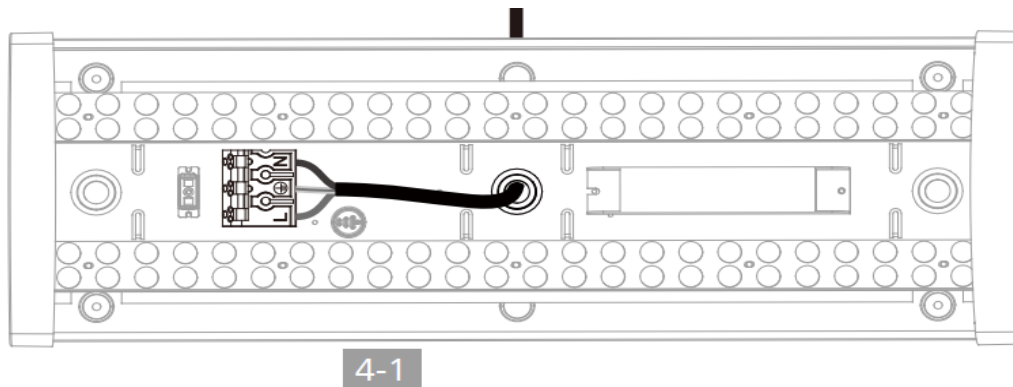
1

2

3

spec	A	B
1200mm	1060mm	150mm
1500mm	1360mm	150mm

On/Off



DALI

